



[www.bailey-retreats.co.uk](http://www.bailey-retreats.co.uk)



# RETREAT

Alu-Tech Bodyshell

## LEISURE HOMES

*For people who know where they are going*



# Bailey Retreats

*For people who know where they are going*

Designed for people who know where they are going - the Bailey Retreat is a new kind of leisure vehicle. Introduced to cater for the growing number of people who do not tour with their caravan but prefer to site it in one place throughout the year.

Whilst it is possible to use our existing caravans in this way, they are built primarily as touring vehicles and consequently certain elements of the design will not be ideally suited for this purpose.

A Retreat Leisure Home, on the other hand, has been developed specifically for this type of holiday with emphasis given to the features required for extended use in a single location. It offers the best of both worlds in that it can provide you with the permanency of a holiday home whilst at the same time giving you the flexibility of a touring caravan, allowing you to re-locate to an alternative location should you so wish.

It is a leisure vehicle which will appeal to both new and existing caravanners by providing them with a convenient and cost-effective way of acquiring their own place in the country.



*Aldi radiator*



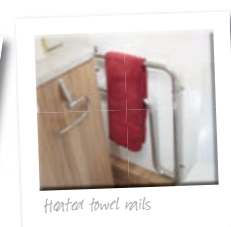
*Theford C-260 ceramic bowl cassette toilet*



*Chrome fixtures & fittings*



*Linen basket*



*Heated towel rails*



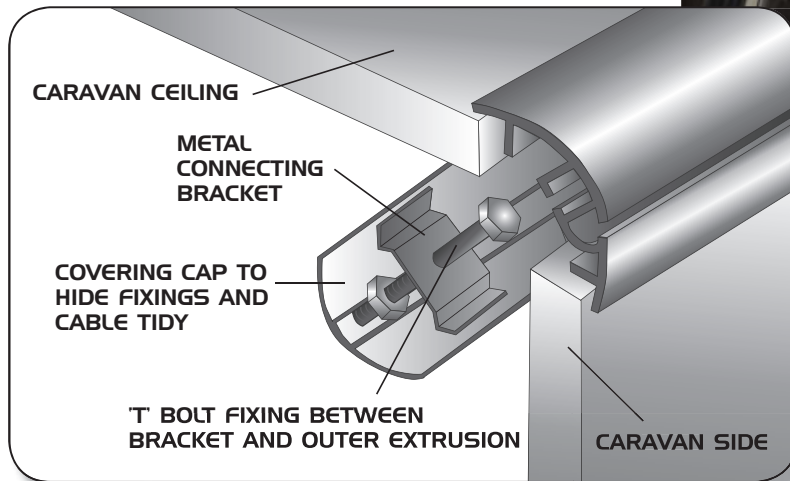
*Under sofa storage area*

A photograph of a dirt path in a forest, covered with fallen leaves. The path leads into the distance, flanked by tall trees. In the foreground, a brown mat with the words 'WELCOME BACK' is placed on the path. The scene is bathed in warm, golden light, suggesting late afternoon or early morning.

**WELCOME  
BACK**

Models are constructed using the same high performance Alu-Tech bodyshell featured in other Bailey ranges which is insulated to Grade III classification standard, allowing you to holiday all year round, and are supplied with an extended bodyshell integrity guarantee\* to provide you with long term peace of mind. An impact resistant GRP outer skin provides extra durability whilst a reinforced floor and a heavy duty AL-KO chassis ensure that a Bailey Retreat is built to last.

For more information please visit [www.baileyalu-tech.co.uk](http://www.baileyalu-tech.co.uk)



Designed for outdoor living Retreats include many practical features, such as external BBQ and 230v sockets and a large exterior access storage locker, while super-pitch-friendly vehicle services and a chassis mounted underslung water tank make them ideally suited for extended periods of use.

Ease of ownership is of paramount importance with this type of product and it has been designed very much with convenience in mind. As part of the sales agreement your supplying Retailer will, for a fee, transport and locate your Retreat to a site of your choice anywhere in the UK and will then provide on-going mobile servicing support as required under the terms and conditions of the Bailey warranty\*.



*Heavy duty hitch assembly*



*Front wet locker storage compartments*



*Large exterior access storage locker*



*External BBQ Point (BBQ used for illustration purposes only)*

The most obvious difference between a Retreat and a traditional caravan is the size. As it is not designed to be towed by the owner, the weight of the vehicle is no longer a key consideration. This therefore gives us the opportunity to build a larger caravan, which has an internal length 7.29m (23'11") and an internal width 2.32m (7'8"), with over 25% of more interior floor space than a standard twin axle tourer.

Initially available in a choice of two layouts, the four-berth Willow and six-berth Sycamore, both of which feature bespoke floor plans made possible by this extra space. Key Features include:

- ✔ Beautifully designed open plan living and dining areas, including a wrap round sofa in the front lounge with domestic standard 'Sherwood' soft furnishings.
- ✔ Well appointed kitchens equipped with the latest appliances including a dual fuel hob including an electric hotplate, a stainless steel 700 watt microwave oven and a Dometic 117 litre fridge freezer.
- ✔ Cleverly designed washrooms featuring a large circular shower cubicle and a host of practical items most notably the Thetford C-260 ceramic bowl cassette toilet, washroom sink, linen basket and heated towel rails.
- ✔ Luxury end bedroom suites containing a sprung mattress double bed dressed with an optional co-ordinating bedding set.



*Retreat Willow washroom area*



*Thetford dual fuel hob*



*Retreat Willow kitchen pull-out storage unit*



*Retreat Willow  
living area (TV not  
included as standard  
specification)*

Inside Retreats are as stylish as they are practical.

Interior décor, featuring the new 'Walnut' furniture finish has been expertly crafted to give models that unmistakable touch of class. Superior quality cabinetry including Italian design wood frame doors, durable laminate worktops and chrome finish fixtures and fittings enhance the level of refinement, whilst new design elements such as the contrasting kitchen locker system, including a dedicated drinks cupboard, a Belfast style washroom sink and swan-neck mixer taps give models that all important wow factor.

Specifications are comparable with those of a top of the range caravan. The Alde central heating system, including a 24 hour timer and heated towel rails are fitted as standard and this combines with the market leading thermal properties of the Alu-Tech body shell to make a Bailey Retreat the ultimate four season vehicle. Whilst the in-house home entertainment system, includes two branded Radio/CD/MP3 players with iPod connectivity and stereo speakers (one in the living area and one in the bedroom) and pre-wiring for satellite television allow you to specify a system to suit your own requirements.



*Retreat Willow end bedroom suite  
(Bed linen available as a cost option)*



*Retreat Sycamore side dinette*



*Retreat Willow kitchen*





*Retreat Sycamore  
(TV not included as  
standard specification).  
Bed linen available  
as a cost option.*

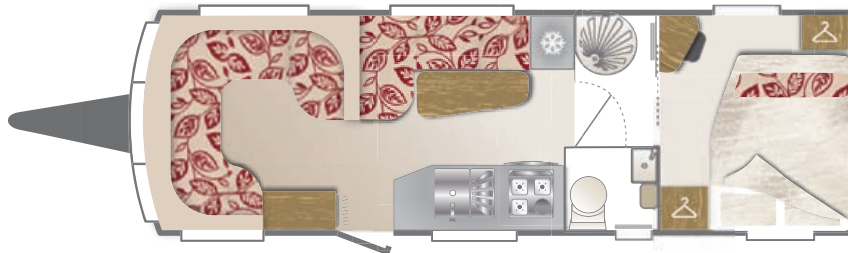
## Willow

👤👤👤👤 4 Berth



## Sycamore

👤👤👤👤👤👤 6 Berth



Technical Information	Willow	Sycamore
<b>Internal Length</b>	7.292m / 23' 11"	7.292m / 23' 11"
<b>Shipping Length</b>	8.957m / 29' 5"	8.957m / 29' 5"
<b>Overall Width</b>	2.480m / 8' 2"	2.480m / 8' 2"
<b>Overall Height</b>	2.63m / 8' 8"	2.63m / 8' 8"
<b>Internal Headroom</b>	1.96m / 6' 5"	1.96m / 6' 5"
<b>Awning Size</b>	1177cm	1177cm
<b>Tyre Size</b>	185/65 R14 93N	185/65 R14 93N
<b>MTPLM</b>	2163kg / 42.6cwt	2287kg / 45.0cwt
<b>MRO</b>	1990kg / 39.2cwt	2094kg / 41.2cwt
<b>Optional Equipment Payload Allowance</b>	3kg / 0.1cwt	3kg / 0.1cwt
<b>Total User Payload</b>	173kg / 3.4cwt	193kg / 3.8cwt
<b>Bed Sizes:</b>		
Front Double	6'6" x 4'6"	6'6" x 4'6"
or 1 @	6'6" x 1'9"	6'6" x 1'9"
O/S Single	-	6'1" x 4'2"
O/S Overhead Single	-	5'10" x 2'0"
Rear Fixed Double	6'3" x 4'6"	6'3" x 4'4"



Circular shower cubicle



Panoramic rooflights throughout



12V lighting system



Stainless steel 700 watt microwave oven



Dometic 117 litre fridge freezer

## ALU-TECH BODY SHELL

Supplied with a 6 year bodyshell integrity guarantee and a 3 year manufacturers components warranty. 4 Year extension to bodyshell integrity guarantee available as a cost option (making 10 years in total)\* • EN-1645 Grade III classification for heating and thermal insulation (Cold chamber tested) • European Whole Vehicle Type Approval.

## Construction

Structural interlocking aluminium extrusion external framework with no external fixing points and an integral water management system • Six part fully bonded exterior panel assembly system featuring Panel thicknesses of: Sides 37mm, Ceiling 37mm & Floor 44mm • Upper body panels manufactured using superior bead application laminating technology for a stronger more consistent bond • Upper body panels built using a timber free construction, incorporating a composite plastic internal skeleton, a high density polystyrene insulation and a GRP inner wall lining • Upper body panels incorporating low absorbency buffer zones surrounding window and door apertures • Upper body panels cloaked in a single sheet impact resistant GRP • Strengthened floor panel with GRP underside protection.

## EXTERIOR FEATURES

Heavy duty AL-KO galvanised steel chassis featuring additional cross members, braking system and running gear • AL-KO AK 201 Heavy duty hitch and hitch lock • AL-KO Heavy duty jockey wheel • 13 pin DIN standard caravan connecting cable • Heavy duty front and rear corner steadies • Two part large aperture Hartel door with moulded interior liner, window, blind and waste bin • LED awning light with integral water management system • Polyclassic double glazed windows with night latch ventilation and integral water management system to front • Polyclassic double glazed windows to side and rear with night latch ventilation • Hartal colour matched white gas locker door with gas strut assisted opening mechanism • Flush fit integral exterior service doors • Large exterior access storage locker • Twin front storage compartments • Central front gas locker compartment which will accommodate all bottle types and sizes.

## INTERIOR FEATURES

### Space

Internal headroom of 1.96m (6'5") throughout the length of the caravan • Internal body length of 7.29m (23'11") • Internal width of 2.32m (7'8") • 25% additional floor space than a standard twin-axle touring caravan.

## Furniture & Soft Furnishings

Bailey "Walnut" furniture finish • Large front window shelf (35cm wide) • Ventilation boards on fixed beds • Aircraft style overhead locker system with split level storage and domestic style metal hinges • Italian design overhead locker doors • Curved overhead locker front corner sections with flush fit 12v lights • Contrasting kitchen overhead locker system with a dedicated cocktail cabinet • Structural locker dividers with greater load bearing capacity • Large capacity front overhead lockers • Large sideboard unit with dedicated TV station • Streamlined caravan furniture units featuring flush fit doors • Pull out kitchen storage unit and dedicated cutlery tray • Soft shut drawer units • Solid domestic style washroom door with metal handle • Additional washroom storage units including a fitted linen basket • High gloss kitchen worktop laminate • Premium quality fixtures and fittings in chrome finish • Domestic foam filled upholstery featuring premium quality fabrics, high density filling and superior cushion construction • Domestic style wrap-around seating u-shaped front sofa (which converts into a double bed at night) • Standard 'Sherwood' soft furnishings with co-ordinating curtains and scatter cushions • De-Luxe sprung double bed mattress • Dedicated dinette area featuring a practical wall mounted table, a bench seat, two free-standing stools and dedicated LED down lighters (Willow only) • Dedicated L-shaped side dinette with fixed table (which converts in to a bed at night) (Sycamore only) • Dressing table and stool situated in the bedroom • Deep pile loose fit drop in carpets in front lounge (50 oz pile density) & rear bedroom (70 oz pile density) • Wall mounted magazine rack.

## SERVICES

### Electrical System

230v power supply with 8 interior sockets (model specific) & one exterior socket • Two TV stations with 230v, 12v and aerial sockets (one for the living area and one in the bedroom) • Status 530 telescopic directional television aerial • Aerial point for portable satellite dish connection • 12v LED internal spotlights • Flush fit 12v locker corner lights • 12v ceiling lights • Additional LED pelmet lights in timber roof light surround • Additional LED pelmet lights above central kitchen • Centrally located electrical control panel • Domestic style consumer unit with dedicated access door • Switch mode battery charger with 20 amps output • RCD/MCB protection for mains electric system • 25 metre mains connecting lead.

### Water & Gas System

Alde Hydronic Compact 3010 programmable radiator heating system with combined water heating • Dual fuel 3.4 Kw gas and 3 Kw electric power sources

• Programmable daily timer • Propane/Butane 30mb gas regulator mounted in gas locker compartment • Exterior gas BBQ point • Whale Aqua smart II on-board water pump • Chassis mounted underslung water tank • Inboard pressurised hot and cold fresh water system with reinforced hosing • Inboard rigid pipe waste plumbing system • Swivel Thetford C-260 ceramic bowl cassette toilet with integrated header tank • Domestic style swan-neck kitchen mixer tap • Inboard shower unit with ceramic ball mixer tap and Ecocamel shower head • Fully lined circular shower cubicle with curved door • 'Belfast' style large capacity washroom sink • Domestic style washroom mixer tap • Shaving mirror • Two Alde heated towel rails in washroom.

## Kitchen Equipment

Dometic 117 litre refrigerator with electronic ignition and detachable full width freezer compartment (capacity increases to 145 litres when freezer compartment is removed) • Thetford recessed 4-burner hob unit with 3 gas burners and one electric hotplate incorporating flush fitting glass hinged lid, conveniently located controls and rear splash back • Thetford combined grill and domestic style glass fronted oven with electronic ignition and flame failure device • Thetford large capacity recessed sink with removable draining board • Stainless steel 700 watt microwave oven conveniently located at eye level • Chopping board • Washing up bowl.

## GENERAL EQUIPMENT

Remis pleated flyscreen and sunblinds to all caravan windows • Horrex pleated full length flyscreen to exterior door • Full size Heki II tilting sunroofs over front saloon and kitchen • Midi Heki roof light located over rear bedroom • Mini Heki roof light located over washroom area • Two branded Radio/CD/MP3 players with iPod/MP3 player connection point in dedicated locker housing (one for the living area and one in the bedroom) • Branded dual cone stereo speakers for superior sound quality • Smoke alarm & carbon monoxide alarm.

## Security

CRIS identity number etched to windows and caravan chassis • Concealed security data chip within caravan construction.



*\*Terms and conditions apply. Please visit [www.bailey-retreats.co.uk](http://www.bailey-retreats.co.uk) for more information on the Retreat warranty package.*



Coastal walks



Tranquil Waters



Mountain Parks



Wooded Glens



Sand Dunes

[www.bailey-retreats.co.uk](http://www.bailey-retreats.co.uk)  
South Liberty Lane, Bristol BS3 2SS, England



80% Recycled paper



This brochure does not constitute an offer by Bailey Caravans Ltd (Bailey). Bailey reserves the right to alter specifications and prices as market and supply conditions demand. Your Bailey retailer will confirm all specification details prior to you making your purchasing decision. E. & O. E. Bailey retailers sell our products of their own choice and not as agents of Bailey. Accordingly they have no authority to bind Bailey or to make any representation or undertaking whatsoever on behalf of Bailey. All household items illustrated in this brochure are used to enhance photography and are for display purposes only. They are not supplied with your Retreat. Photographic colour reproduction is subject to the limitations of the production process.

Design & Print: Kingsdown Photography: Alan Bond Issued: August 2012

BBQ supplied to us by Calor [www.calor.co.uk](http://www.calor.co.uk)